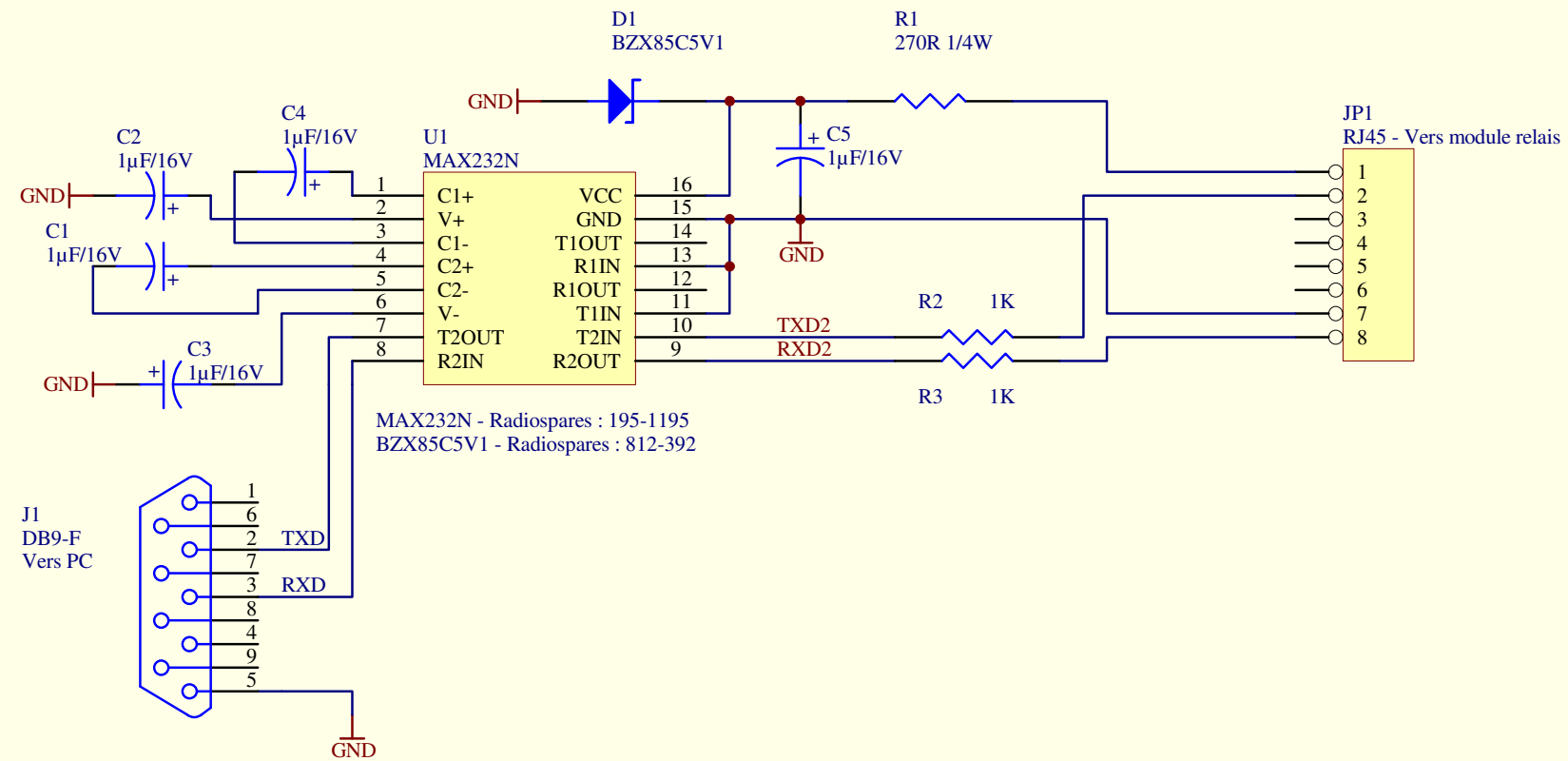


# Schéma pour cordon de clonage compatible UR-FR5100/UR-FR6100

V1 - F5FDR



Title <b>Adaptateur RS232</b>			ICOM France S.A.S. ZAC de la Plaine 1, rue Brindejonc des Moulinais TOULOUSE	<b>Protel</b> Making Electronic Design Easy™
Size: A	Number 22/09/2015	Revision: 1		
Date: 14-Oct-2015	Time: 15:22:54	Sheet 1 of 1		
File: G:\Protel99\Sheet\RS232Adapt\RS232Adapt.ddb - Sheet1.Sch				