



VHF MARINE TRANSCEIVER

# IC-M402



## Easy to see! Easy to hear!

### Large 2-digit Ch with scrolling channel names

Look at the size of the LCD with large letters and numbers! The large, easy to see display has 27x43mm (1 $\frac{1}{16}$ x1 $\frac{5}{16}$ in.) dimensions, so channel indications are maximized. 10-character channel names and all settings are displayed at the same time.



The photo shows actual display size.

### Easy to hear speaker

A newly designed large speaker grill improves the output of the front-mounted speaker. The result is that the audio sounds even louder than the 4.5W (typical) output capability, even over wind or engine noise.

### Built-in DSC capability that meets RTCM SC101

The DSC watch function monitors Ch 70, while receiving another channel. It allows you to send a formatted distress message in an emergency. The position request function indicates a caller's position. Up to 30 DSC IDs are memorized.

### Rugged waterproof construction

By spraying off any salt with fresh water after your outing, the IC-M402 is designed to work for many years. (Equivalent to JIS 7, submersible 1m/30min; except cables)



### Optional COMMANDMIC®

Our COMMANDMIC® makes it convenient for using the IC-M402 from a separate cabin or tower. It allows you to remotely control all functions of the IC-M402 (except DSC operation). It offers its own large, easy to read LCD, is easy to hear and is also waterproof!



Optional COMMANDMIC®, HM-127W

### And more...

- Dual and tri-watch functions for monitoring channel 16 (or channel 16 and another call channel), while receiving on another channel
- Position indication when connected to GPS (GPS is not included)
- Adjustable LCD backlighting and key illumination in 4 steps for nighttime operation
- Supplied remote function Mic. for convenient channel selection
- NOAA weather channels with alert function
- Simple and easy tag scanning system
- Available in black or white

Icom Inc.

**SPECIFICATIONS**

**GENERAL**

- Frequency range : Tx 156.025–157.425MHz  
Rx 156.050–163.275MHz
- Usable channels :  
All International, U.S.A.\* and Canadian\* channels; plus 10 weather\* channels (\* U.S.A. version only)
- Type of emission : 16K0G3E (FM), 16K0G2B (DSC)
- Power supply : 13.8V DC ±15%
- Current drain : Tx 6A (at 25W output) (at 13.8V DC) Rx 1.2A (at AF max.)
- Operating temperature range:  
–20°C to +60°C; –4°F to +140°F
- Antenna connector: SO-239 (50Ω)
- Dimensions (W×H×D):  
153×67×141.6mm; 6<sup>1</sup>/<sub>32</sub>×2<sup>5</sup>/<sub>8</sub>×5<sup>9</sup>/<sub>16</sub>in.
- Weight : 900g; 2lb

**TRANSMITTER**

- Output power : High 25W (at 13.8V DC) Low 1W
- Modulation system:  
Variable reactance freq. modulation
- Spurious emissions: Less than –70dB
- Adj. channel power: 70dB

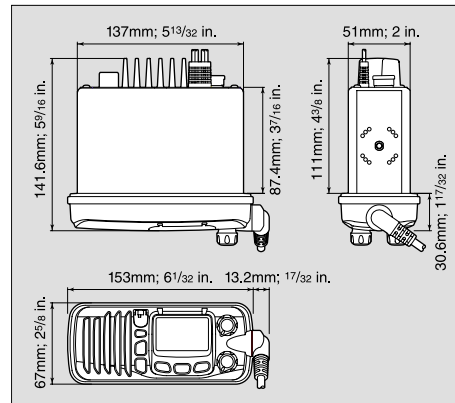
**RECEIVER**

- Receive system :  
Double conversion superheterodyne
- Intermediate freq. : 1st 21.7MHz  
2nd 450kHz
- Sensitivity : 0.25µV at 12dB SINAD
- Squelch sensitivity: 0.20µV typical
- Adj. Ch. selectivity: 70dB
- Spurious response rejection ratio:  
70dB
- Intermodulation rejection ratio:  
70dB
- Audio output power: 4.5W typical 10% distortion with a 4Ω load
- Audio output impedance: 4Ω
- GPS interface : NMEA0183 ver. 2.0

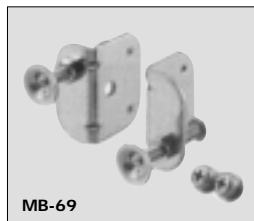
**Supplied accessories:**

- Hand microphone
- DC power cable
- Mounting bracket kit

All stated specifications are subject to change without notice or obligation.



**OPTIONS**



- **MB-69**  
FLUSH MOUNT KIT  
For flush-mounting the IC-M402 to a flat surface such as an instrument control panel.

- **HM-129B/W** SMART MICROPHONE  
White and black are available. Same as supplied.
- **OPC-999** EXTENSION CABLE FOR HM-127B/W  
6m (20ft) of extension cable for additional lengthening for use with COMMANDMIC®.



- **HM-127B/W** REMOTE-CONTROL MICROPHONE  
Up to 21m (70ft) of freedom from the IC-M402 with two OPC-999 EXTENSION CABLES. Allows you to control all functions of the IC-M402 (except DSC operation).  
Size (W×H×D): 63.5×125.0×31.4mm; 2<sup>1</sup>/<sub>2</sub>×4<sup>29</sup>/<sub>32</sub>×1<sup>1</sup>/<sub>4</sub>in.  
Weight (approx., except cables): 150g ; 5.3oz  
Supplied accessories :  
• 6m (20ft) of cable • Mic. hanger  
• Mounting base for cable connector

Please note that the HM-127B/W is not compatible with the HM-134B. COMMANDMIC is a registered trademark of Icom Inc, in the U.S.A.



Les spécifications et informations données dans ce document peuvent être modifiées sans préavis.

**ICOM FRANCE**

Zac de la Plaine - 1, Rue Brindejonc des Moulinais  
BP 5804 - 31505 TOULOUSE CEDEX  
Tél : 05 61 36 03 03 - Fax : 05 61 36 03 00  
WEB ICOM : <http://www.icom-france.com>  
E-mail : [icom@icom-france.com](mailto:icom@icom-france.com)



**Agence Côte d'Azur**

Port Inland locaux N°112 et 113  
701 avenue de Fontmichel - 06210 MANDELIEU  
Tél : 04 92 19 68 00 - Fax : 04 92 19 68 01

**CACHET REVENDEUR**

